

Sensorless field oriented control using back-EMF and flux observer for a surface mounted permanent magnet synchronous motor

Lu An*, David Franck and Kay Hameyer
Institute of Electrical Machines, RWTH Aachen University, Aachen, Germany

Abstract. This paper proposes a Sensorless Field Oriented Control for surface mounted permanent magnet synchronous motor combining two approaches for different rotor speed ranges. The active flux observer is applied at low speed and combined with a back-EMF observer at high speed. This combination allows for an improvement of the rotor position estimation for a large speed range and is therefore resulting in a higher stability of the sensorless control scheme when compared to the conventional back EMF method. The presented approach is discussed based on simulations.

Keywords: Back-EMF, flux observer, permanent magnet synchronous motor, sensorless speed control

1. Introduction

The sensorless control for the electrical machines has become an important part of research and is playing a particular role in industry because of its reliability and low cost. For high speed operation of the motor, e.g. back-EMF [1,2,10] is employed for the speed estimation. However, it is troublesome for sensorless control at low speed. Many approaches have already been successfully employed. One of the most used methods is high frequency signal injection [5–9].

In [7] at low speed, the rotor position is obtained from a predefined ramp function of the rotor speed, because the rotor position is the integral of the rotor speed. After the rotor ramps up with a constant q-current along this predefined ramp from standstill to a fixed high speed range, the approach for low speed is switched to the one for high speed range, e.g. field oriented control.

Besides, an active flux concept [3,4] provides the speed estimation for interior permanent magnet synchronous motor (IPMSM) at low speed without signal injection. This paper introduces a novel approach, which is based on back-EMF and active flux. In this approach, the back-EMF and active flux observer can be switched at a predefined speed level to achieve the sensor less control over the entire speed range. Additionally, a study of a reduced active flux approach is presented here, which is applied to a surface mounted permanent magnet synchronous motor (SMPMSM).

*Corresponding author: Lu An, Institute of Electrical Machines, RWTH Aachen University, Schinkelstr. 4, 52056 Aachen, Germany. E-mail: Lu.An@iem.rwth-aachen.de.

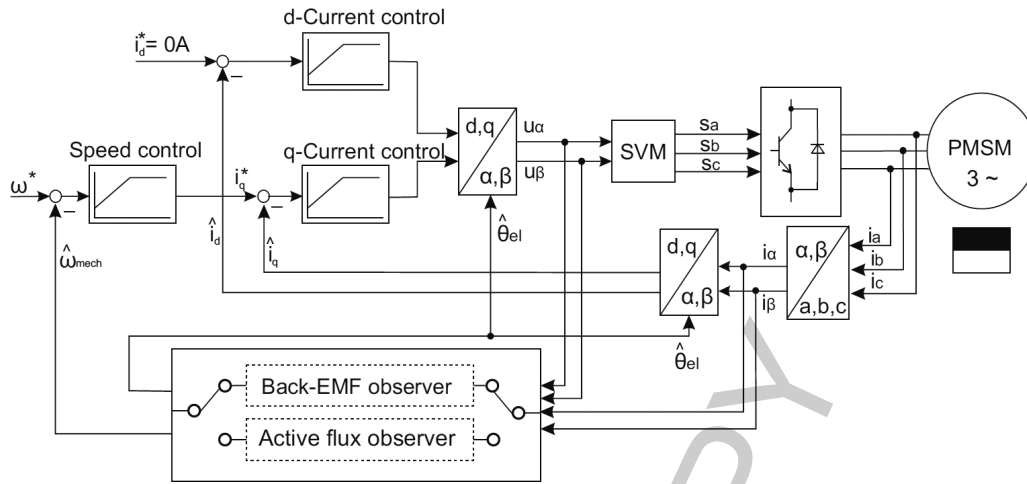


Fig. 1. Sensorless control scheme of PMSM.

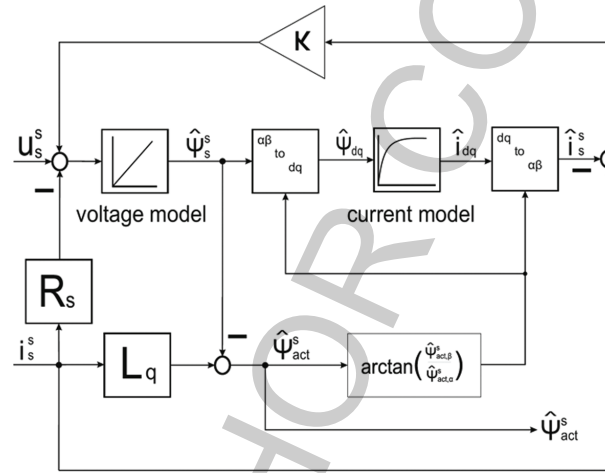


Fig. 2. Active flux observer.

2. Position estimation by back-EMF observer

Figure 1 shows the proposed sensorless speed control scheme of PMSM: the stator currents $(i_a, i_b, i_c)^T$ are measured and voltages $(u_\alpha, u_\beta)^T$ are calculated from the measured voltages $(u_a, u_b, u_c)^T$. Rotor speed ω and rotor position θ are estimated by the observer. The active flux and back-EMF are switched at a predefined speed. Due to the linear independence of the currents in dq coordinates, it is possible to control both current components separately.

2.1. Active flux observer

The active flux observer model, which is consisting of a voltage model and a current model (Fig. 2), is suitable for rotor speed and rotor position estimation at low speed range. The stator current $i_s^s = (i_\alpha, i_\beta)^T$ and the stator voltage $u_s^s = (u_\alpha, u_\beta)^T$ in the α - β coordinate system are conversant and they represent

the input signal of the observer. These quantities are converted from measured stator current $(i_a, i_b, i_c)^T$ and stator voltage $(u_a, u_b, u_c)^T$. Active flux observer model using a fixed α - β coordinate system can be represented by [4]

$$\begin{pmatrix} \widehat{i}_\alpha \\ \widehat{i}_\beta \end{pmatrix} = T^{-1}(\widehat{\theta}) \begin{pmatrix} \frac{1}{L_d} & 0 \\ 0 & \frac{1}{L_q} \end{pmatrix} T(\widehat{\theta}) \begin{pmatrix} \widehat{\Psi}_\alpha \\ \widehat{\Psi}_\beta \end{pmatrix} + \frac{\Psi_F}{L_d} \begin{pmatrix} \cos(\widehat{\theta}) \\ -\sin(\widehat{\theta}) \end{pmatrix}, \quad (1)$$

$$\frac{d}{dt} \begin{pmatrix} \widehat{\Psi}_\alpha \\ \widehat{\Psi}_\beta \end{pmatrix} = -R_s \cdot \begin{pmatrix} i_\alpha \\ i_\beta \end{pmatrix} + \begin{pmatrix} u_\alpha \\ u_\beta \end{pmatrix} + K \begin{pmatrix} i_\alpha - \widehat{i}_\alpha \\ i_\beta - \widehat{i}_\beta \end{pmatrix} \quad (2)$$

where

$$\begin{pmatrix} u_\alpha \\ u_\beta \end{pmatrix} = R_s \cdot \begin{pmatrix} i_\alpha \\ i_\beta \end{pmatrix} + \frac{d}{dt} \begin{pmatrix} \widehat{\Psi}_\alpha \\ \widehat{\Psi}_\beta \end{pmatrix} \quad (3)$$

is the voltage equation, $(i_\alpha, i_\beta)^T$ is calculated from $(i_a, i_b, i_c)^T$. The estimated current, voltage and flux are $(\widehat{u}_\alpha, \widehat{u}_\beta)^T$, $(\widehat{i}_\alpha, \widehat{i}_\beta)^T$, $(\widehat{\Psi}_\alpha, \widehat{\Psi}_\beta)^T$. The parameters R_s and $L_d = L_q$ are stator resistance and inductance. The current estimation error

$$e_i = \begin{pmatrix} \widehat{i}_\alpha \\ \widehat{i}_\beta \end{pmatrix} - \begin{pmatrix} i_\alpha \\ i_\beta \end{pmatrix} \quad (4)$$

is fed back to voltage model and weighted by constant K . The active flux is defined as

$$\begin{pmatrix} \widehat{\Psi}_{act,\alpha} \\ \widehat{\Psi}_{act,\beta} \end{pmatrix} = \begin{pmatrix} \widehat{\Psi}_\alpha \\ \widehat{\Psi}_\beta \end{pmatrix} - L_q \cdot \begin{pmatrix} i_\alpha \\ i_\beta \end{pmatrix}. \quad (5)$$

Subsequently, the rotor position can be estimated applying

$$\widehat{\theta}_{el} = \arccos \left(\frac{\widehat{\Psi}_{act,\beta}}{\sqrt{\widehat{\Psi}_{act,\alpha}^2 + \widehat{\Psi}_{act,\beta}^2}} \right) + n \cdot \pi, \quad (6)$$

with $n = N_0$.

2.2. Observer stability analysis

The stability of the observer has already been proved in [11]. The estimated errors can be described as

$$i_{s,e}^s = -C \cdot \Psi_{s,e}^s \quad (7)$$

with

$$C = T^{-1}(\widehat{\theta}) \begin{pmatrix} \frac{1}{L_d} & 0 \\ 0 & \frac{1}{L_q} \end{pmatrix} T(\widehat{\theta}). \quad (8)$$

The state error dynamics are given by

$$\frac{d}{dt}\Psi_{s,e}^s = -K \cdot i_{s,e}^s = -KC \cdot \Psi_{s,e}^s. \quad (9)$$

With $\Psi_{s,e}^s$, a Lyapunov candidate function and its derivative are defined as

$$V = \frac{1}{2}\Psi_{s,e}^s T \Psi_{s,e}^s > 0 \quad (10)$$

$$\dot{V} = \frac{d}{dt}V = \Psi_{s,e}^s T \frac{d}{dt}\Psi_{s,e}^s = -\Psi_{s,e}^s T KC \Psi_{s,e}^s. \quad (11)$$

With every positive eigenvalues of KC , \dot{V} is smaller than zero and the observer is stable.

2.3. Back-EMF using Luenberger observer

The Back-EMF method is applied at high speed operation. The observer model of the PM synchronous motor is presented in state space form. In a fixed α - β coordinate system it can be represented by

$$\underline{y} = \begin{pmatrix} i_\alpha \\ i_\beta \end{pmatrix} = \begin{pmatrix} 1 & 0 & 0 & 0 \\ 0 & 1 & 0 & 0 \end{pmatrix} \cdot \underline{x}, \quad (12)$$

$$\dot{\underline{x}} = \frac{d}{dt} \begin{pmatrix} i_\alpha \\ i_\beta \\ u_{p\alpha} \\ u_{p\beta} \end{pmatrix} = \begin{pmatrix} -\frac{R_s}{L_s} & 0 & -\frac{1}{L_s} & 0 \\ 0 & -\frac{R_s}{L_s} & 0 & -\frac{1}{L_s} \\ 0 & 0 & 0 & 0 \\ 0 & 0 & 0 & 0 \end{pmatrix} \cdot \underline{x} + \begin{pmatrix} \frac{1}{L_s} & 0 \\ 0 & \frac{1}{L_s} \\ 0 & 0 \\ 0 & 0 \end{pmatrix} \cdot \underline{u}, \quad (13)$$

where $u_{p\alpha}, u_{p\beta}$ denotes the back-EMF and the state vector \underline{x} can be determined by Luenberger observer [1] with its observer gain \underline{L} . The rotor position reads as [2]

$$\hat{\theta}_{el} = \arccos \left(\frac{u_{p\beta}}{\sqrt{u_{p\alpha}^2 + u_{p\beta}^2}} \right) + n \cdot \pi. \quad (14)$$

The angular speed can be expressed by

$$\omega_{el} = \frac{d\hat{\theta}_{el}}{dt}. \quad (15)$$

Since the measurements are contaminated by stochastic signal noise, a low pass filter is employed.

3. Results

3.1. Specifications of the machine

The parameters of the permanent magnet synchronous machine are shown in Table 1. The main specifications of the machine are measured, e.g. standstill torque T_0 , stator resistance R_s , Stator inductance (quadrature axis) L_q and stator inductance (direct axis) L_d .

Table 1

Specifications of the permanent magnet synchronous machine

Parameters and constraints	Value
Number of pole pairs p	4
Maximum speed n_{max}	2000 [rpm]
Rated speed n_N	4500 [rpm]
Rated power P_N	10.3 [kW]
Rated phase to phase voltage U_N	380 [V]
Maximum permitted motor current I_{max}	75 [A]
Rated motor current I_N	21.2 [A]
Maximum torque T_{max}	67 [Nm]
Rated torque T_N	49.2 [Nm]
Mass moment of inertia J	$60 \cdot 10^{-3}$ [kg·m ²]
Stator resistance R_s	0.2 [Ω]
Stator inductance (quadrature axis) L_q	0.005 [H]
Stator inductance (direct axis) L_d	0.005 [H]
Excitation flux ψ_F	0.2735 [Vs]
Time constant (quadrature axis) $t_q = L_q/R$	0.025 [H/ Ω]
Time constant (direct axis) $t_d = L_d/R$	0.025 [H/ Ω]
Coefficient of friction μ	0

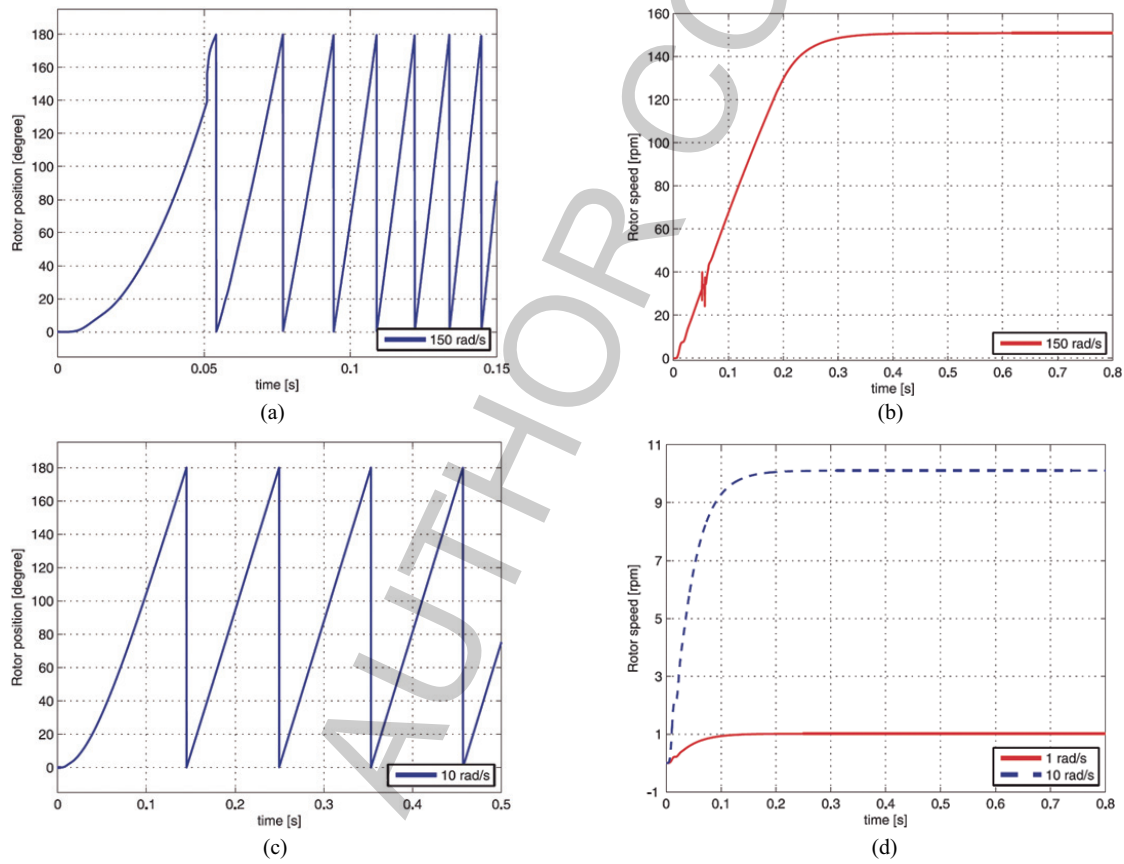


Fig. 3. Position observer.

3.2. Control and estimation results

At high speed operation, an overshoot occurs due to the switch between the two approaches for rotor position estimation in Fig. 3(a) at ca. 0.05 second. The same effect is also seen in Fig. 3(b) with a reference value at 150 rad/s: back-EMF observer is activated instead of active flux observer at 30 rad/s.

The performance of the sensorless controller at low speed are presented in Fig. 3(d): At low speed, only the active flux observer is employed. Hence, a switch is not necessary. The result from the arccos function of the position observer at low speed, which has zigzag trajectory between 0 and 180°, is plotted in Fig. 3(c) for 10 rad/s. The current rotor position can be calculated using (9) and will be appropriated for the Park's transformation (Fig. 1). The speed control results at low speed 1 rad/s and 10 rad/s are presented in Fig. 3(d), which show that active flux observer suits for the rotor speed and position estimation at low speed very well. The results show that the observer is asymptotically stable, which verifies the theoretical conclusion in the previous section.

4. Conclusions

It can be concluded from the results that the scheme discussed provides an accurate and robust position and speed estimation. In comparison to the conventional back-EMF method the presented combination allows for a higher accuracy, particularly in the low speed operation range. Furthermore, the active flux observer is suitable for position and speed estimation at low speed of SMPMSM with machine's non-saliency ($L_d = L_q$) as well.

References

- [1] M. Tursini, R. Petrella and A. Scafati, Speed and position estimation for PM synchronous motor with back-EMF Observer, *Industry Applications Conference, 2005 Fourtieth IAS Annual Meeting*, Conference Record of the 2005.
- [2] G. Ellis, *Observers in control systems*, Elsevier Science (USA) 2002.
- [3] I. Boldea, M.C. Paicu, G.-D. Andreescu and F. Blaabjerg, "Active Flux" DTFC-SVM Sensorless Control of IPMSM, *Energy Conversion* **24** (2009), 314–322.
- [4] G.H.B. Foo and M.F. Rahman, Direct torque control of an IPM-synchronous motor drive at very low speed using a sliding-mode stator flux observer, *Power Electronics* **25** (2010) 933–942.
- [5] J.-I. Ha, K. Ide, T. Sawa and S.-K. Sul, Sensorless rotor position estimation of an interior permanent-magnet motor from initial states, *Industry Applications* **39** (2003), 761–767.
- [6] J.-H. Jang, S.-K. Sul, J.-I. Ha and K. Ide, Sensorless drive of surface-mounted permanent-magnet motor by high-frequency signal injection based on magnetic saliency, *Industry Applications* **39** (2003), 1031–1039.
- [7] Z. Wang, K. Lu and F. Blaabjerg, A simple startup strategy based on current regulation for back-EMF-based sensorless control of PMSM, *Power Electronics* **27** (2012), 3817–3825.
- [8] D. Xiao, G. Foo and M.F. Rahman, Sensorless direct torque and flux control for matrix converter IPM synchronous motor drives using adaptive sliding mode observer combined with high frequency signal injection, *Energy Conversion Congress and Exposition, 2009, ECCE 2009 IEEE 4000–4007*.
- [9] A. Piippo and J. Luomi, Sensorless adaptive observer combined with HF signal injection for sensorless control of PMSM drives, *Electric Machines and Drives* (2005), 674–681.
- [10] A.D. Youness and Y. Driss, PMSM sensorless control using back-EMF based position and speed estimation method, *Renewable and Sustainable Energy Conference (IRSEC)* (2013), 436–440.
- [11] G. Foo and M.F. Rahman, Sensorless vector control of interior permanent magnet synchronous motor drives at very low speed without signal injection, *Electric Power Applications, IET* **4**(3) (2010), 131–139.